



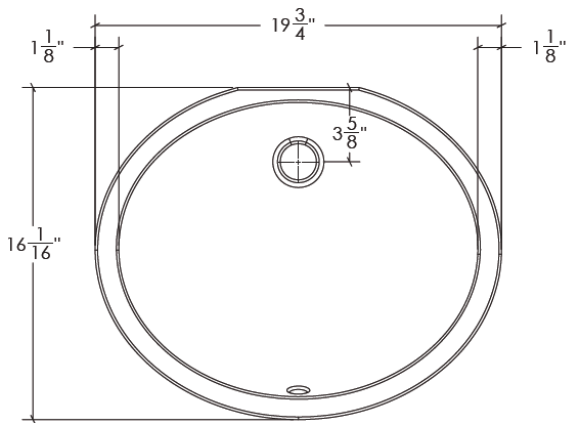
US 1916

FEATURES:

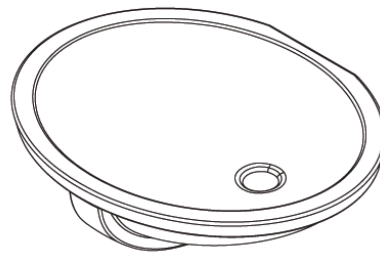
- * Bowl Size: 17-1/2" x 14-1/8" x 6"
- * Material: Vitreous China
- * For Under Counter Use
- * Recommended Drain: DS-001
- * For Drains with Overflow
- * For Use With Standard Pop Up Drain
- * Warranty: One Year Limited Warranty
- * Includes Mounting Clips

CODES / STANDARDS APPLICABLE

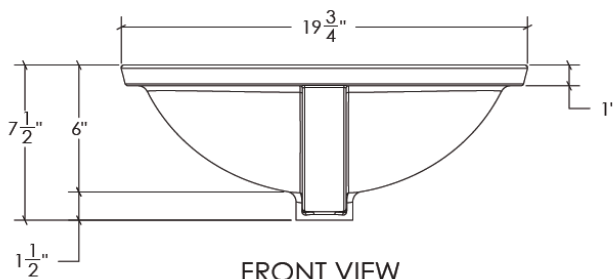
- * CSA B45
- * ASME A112.19.2



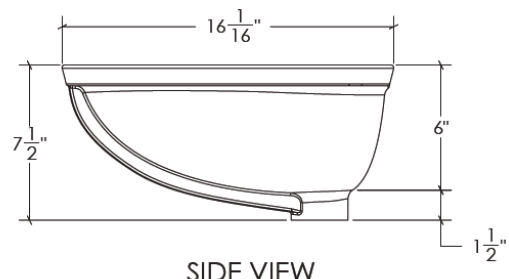
TOP VIEW



3D VIEW



FRONT VIEW



SIDE VIEW