

AXOR Montreux
AXOR Montreux Single-Hole Faucet, 1.2 GPM
 Finishes : **chrome** Part no. : **16515001**



Description

Features

- Aerated spray
- Flow: 1.2 GPM (4.5 L/Min)
- Ceramic cartridge
- Includes pop-up drain

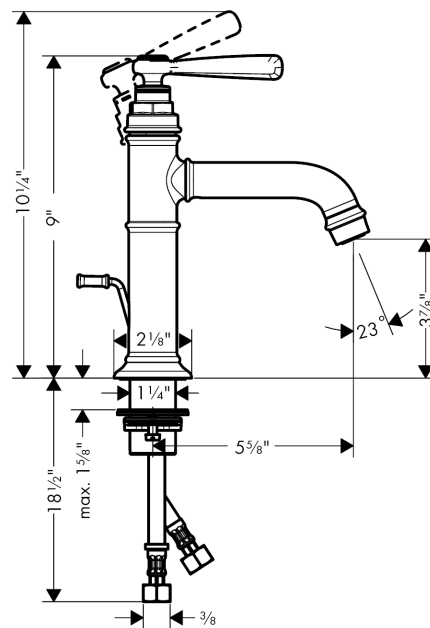
Technology



Product image



Scale drawing

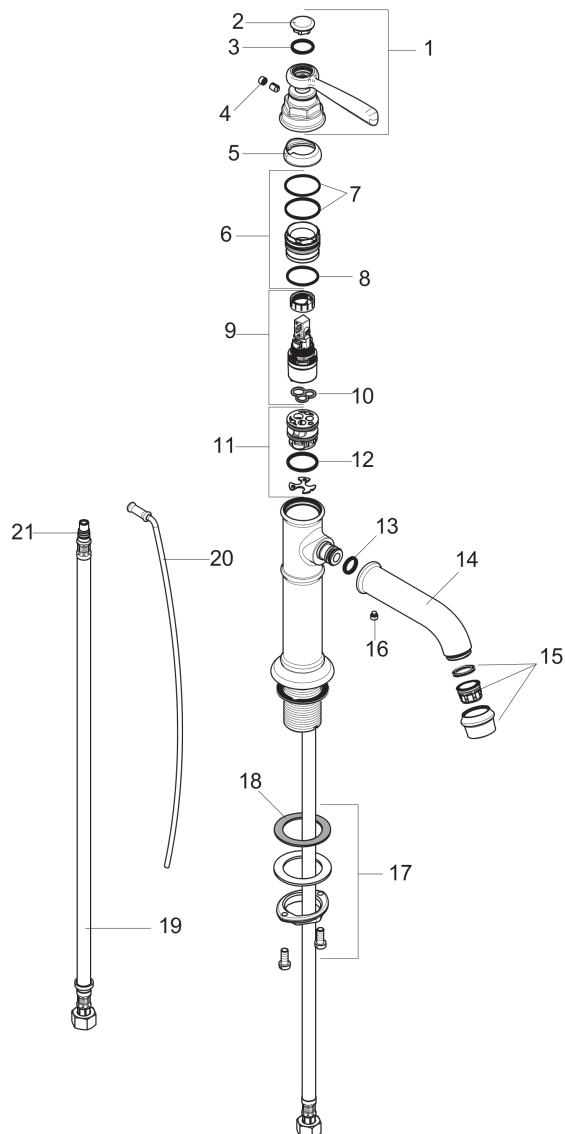


AXOR Montreux
AXOR Montreux Single-Hole Faucet, 1.2 GPM
Finishes : **chrome** Part no. : **16515001**



Exploded drawing

Year of production: >01/18



AXOR Montreux
AXOR Montreux Single-Hole Faucet, 1.2 GPM
 Finishes : **chrome** Part no. : **16515001**



Spare parts list

Year of production: >01/18

Pos.	Description	Part no.	PC	PU
1	handle	92973000	0	1
2	cover cap	92974000	0	1
3	O-ring 16x2	98133000	0	1
4	screw cover	96338000	0	1
5	flange	92625000	0	1
6	nut	92689000	0	1
7	O-ring 27x1,5	92527000	0	1
8	O-ring 25x1,5	98146000	0	1
9	cartridge, assy	95973001	0	1
10	seal	98865000	0	1
11	adapter for cartridge	98866000	0	1
12	O-ring 23x2	98398000	0	1
13	O-ring 11x2,5	98487000	0	1
14	spout cpl.	92978000	0	1
15	aerator M24x1 (4,5 l/min)	93254000	0	1
16	hollow set screw M6x5	98447000	0	1
17	fixing set (Ø 34)	95049000	0	1
18	lever collar	97548000	0	1
19	connection hose 23½" M8x0,75 3/8"	98600001	0	1
20	pull rod	98730000	0	1
21	O-ring 7x1,5	98422000	0	1